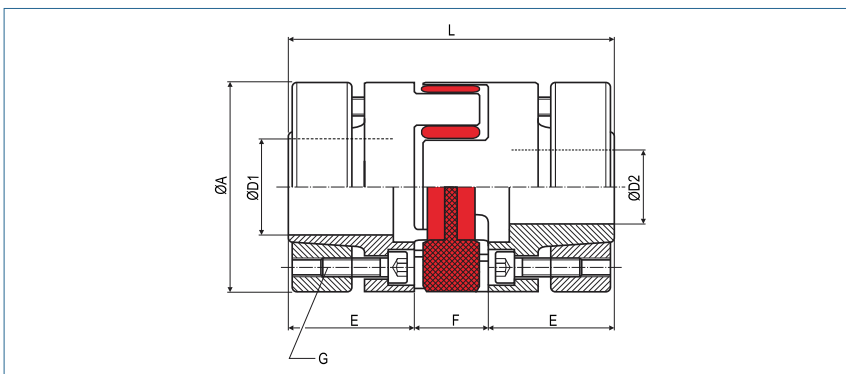


Servo Insert Coupling

with outer conical hubs

optional full stainless steel version



<b>Order Code</b>	<b>KBE3</b>	-	<b>48</b>	-	<b>40</b>	-	<b>35</b>	-	<b>98Sh</b>
	Type		Size		ØD1 (H7)		ØD2 (H7)		Shore-hardness

Size	Dimensions (mm)						Technical Data			
	Ø A Outer Ø	L Length	Ø D1-D2 Bore Sizes (H7) min~max	E	F	G Screw (ISO4762) TA (Nm)	max. speed rpm. (1/min)	Mass (per coupling) (g)	Moment of Inertia (per coupling) J (g m²)	Torque (Nm)
14	30	50	6 - 14	18.5	13	M3 1.34	25000	105	0.014	12.5
19	40	66	10 - 20	25	16	M4 2.9	19000	277	0.066	17
24	55	78	15 - 28	30	18	M5 6	14000	612	0.282	60
28	65	90	19 - 38	35	20	M5 6	12000	937	0.650	160
38	80	114	20 - 45	45	24	M6 10	10000	1961	2.005	325
42	95	126	28 - 50	50	26	M8 35	8000	3069	4.322	450
48	105	140	35 - 60	56	28	M8 35	7000	3855	6.851	525

Size	Transmittable torque (Nm) depending on shaft diameter (mm)																						
	6	10	11	14	15	16	19	20	24	25	28	30	32	35	38	40	42	45	48	50	55		
14	8.6	13.8	14.7	22.7																			
19		41	45	62	68	67	83	90															
24					74	72	90	97	112	120	143												
28							189	188	237	250	280	307	310	353	389								
38								269	337	356	398	436	424	501	533	572	585	644					
42											445	506	470	566	581	647	630	728	836	858			
48														955	999	1092	1091	1230	1381	1334	1540		

**+** **Material** hub - aluminium  
 outer conical hub - Steel  
 spider element - polyurethane  
**Hub** bore tolerance: H7  
**Shore-hardness** 98 Sh A (red)  
 Further spider elements and technical data are available on page 42.