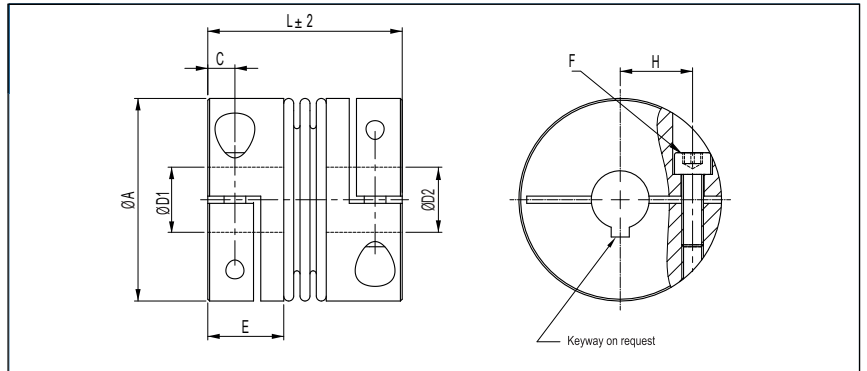


Metal Bellows Coupling
with collet clamps

optional
laserwelded
optional full stainless
steel version

KB4K

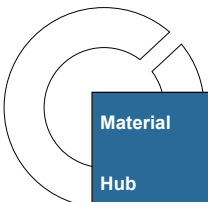


Order Code

KB4K / 400 - 75 - 44 - 40 - (S)

Type / Size Length L ØD1 (H7) ØD2 (H7) Options

| Size | Torque TKN (Nm) | Dimensions (mm) | | | | | | Technical Data | | | | | | | | | |
|------|-----------------|-----------------|-----------|-------------------------------|------|------|------|---------------------------|-----------|----------------------------|------------------|-----------------|-----------------|----------------|----------------|-----|------------------|
| | | L Length | Ø A Outer | D1/D2 Bore Sizes (H7) min-max | H | C | E | F Screw (ISO4762) TA (Nm) | Mass (kg) | Moment of Inertia J (g m²) | Spring Stiffness | | | Misalignment | | | max. speed min-1 |
| | | | | | | | | | | torsional CT 10³ (Nm/rad) | radial CR (N/mm) | axial CA (N/mm) | radial ΔKr (mm) | axial ΔKa (mm) | angula ΔKw (°) | | |
| 10 | 10 | 35 | 32.5 | 6-18 | 12 | 5 | 13 | M4 3.5 | 0.06 | 0.008 | 9 | 1518 | 63 | 0.05 | 0.5 | 0.5 | 15000 |
| 20 | 20 | 39 | 40.5 | 6-25 | 15.5 | 5 | 13.5 | M4 4.5 | 0.09 | 0.02 | 15 | 1208 | 65 | 0.05 | 0.5 | 0.5 | 15000 |
| 40 | 40 | 46 | 45 | 10-25.4 | 17 | 5.5 | 17.5 | M5 8 | 0.07 | 0.04 | 35 | 3350 | 97 | 0.05 | 0.5 | 0.5 | 12800 |
| 80 | 80 | 55 | 56 | 12-32 | 20 | 7.3 | 21 | M6 15 | 0.26 | 0.14 | 53 | 6436 | 165 | 0.05 | 0.5 | 0.5 | 10300 |
| 200 | 200 | 60 | 66 | 16-35 | 23 | 8.6 | 23 | M8 40 | 0.38 | 0.28 | 92 | 5980 | 287 | 0.1 | 1 | 0.5 | 8700 |
| 400 | 400 | 75 | 82 | 32-44 | 28 | 9.8 | 27 | M10 84 | 0.70 | 0.82 | 176 | 6815 | 338 | 0.1 | 1 | 0.5 | 6900 |
| 650 | 650 | 78 | 90 | 37-47 | 31 | 10.8 | 29 | M12 125 | 0.89 | 1.19 | 230 | 7910 | 386 | 0.1 | 1.5 | 1 | 6400 |
| 1000 | 1000 | 84 | 110 | 42-60 | 40 | 11.8 | 32.5 | M12 145 | 1.37 | 2.74 | 579 | 29096 | 756 | 0.1 | 1.5 | 1 | 6000 |
| 1500 | 1500 | 96 | 122 | 50-70 | 42 | 13.3 | 36 | M12 145 | 1.81 | 4.45 | 693 | 20694 | 639 | 0.1 | 1.5 | 1 | 5000 |



| | |
|--------------------------|----------------------------------------------|
| Material | bellows - stainless steel hub - aluminium |
| Hub | bore tolerance: H7 |
| Temperature Range | -30 °C ~ 120 °C |
| Keyway | optional acc. DIN 6885 |